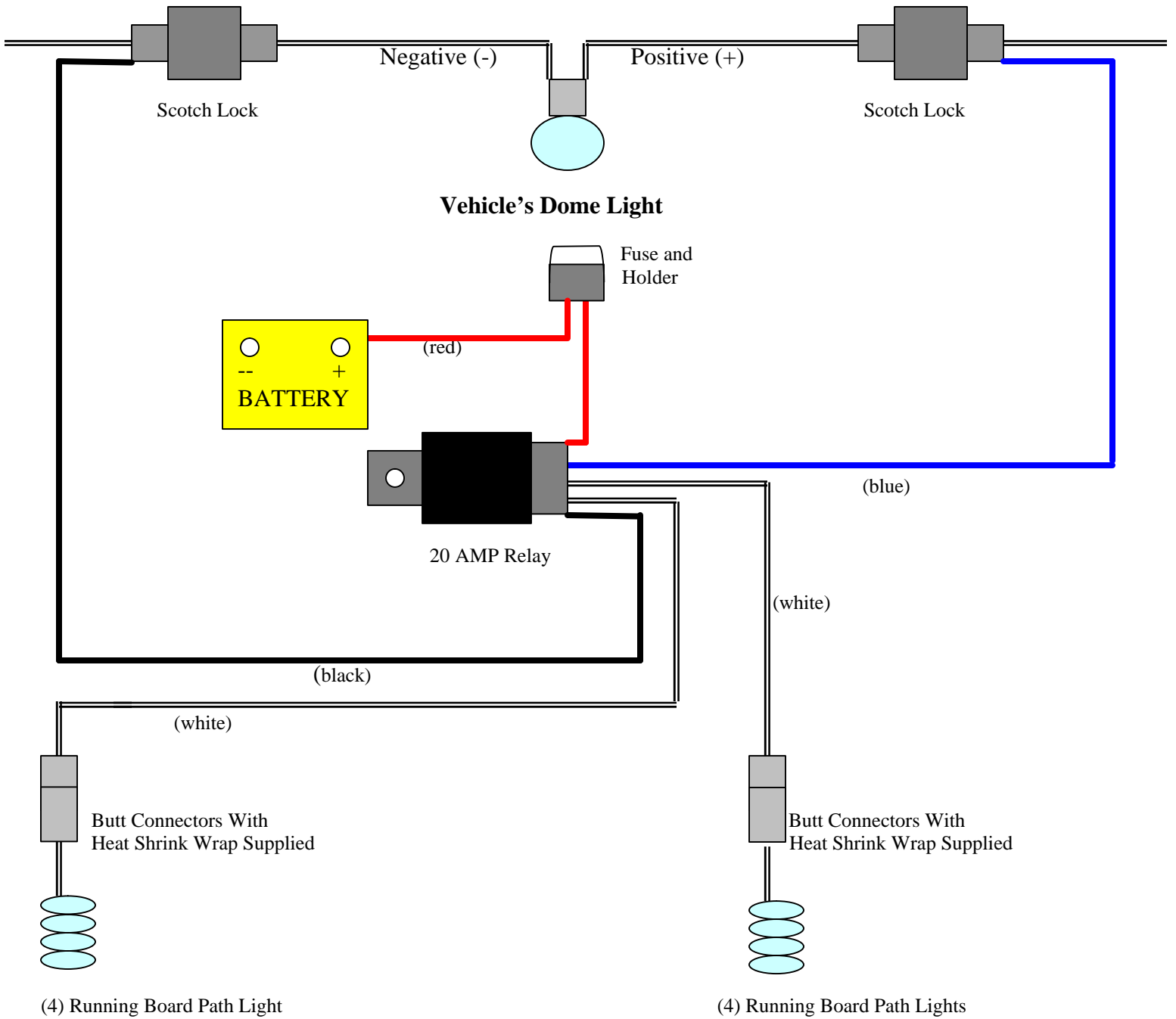


WIRE HARNESS DIAGRAM FOR AR RUNNING BOARD



**FOR TECHNICAL SUPPORT ON VEHICLE'S WIRE SCHEMATIC PLEASE CALL US AT
(510) 567-8875**